



### Application

The UGLK/UGSP retrofit kit is designed to easily attach to the valve bonnet on select competitor valves utilizing Belimo GK, AF, NF, GM, AM and NM series actuators. The kit is used to restore service to the valve without removal of the valve, saving down time.

The unique collar design allows the UGLK to be mounted on various two-way or three-way valves. The rack and pinion construction allow the linkage to be used with normally open and normally closed valves.

### Default/Configuration

The actuator is sold separately from the linkage. This allows users to select the actuator with the desired control signal. The linkage utilizes standard air-side actuators that can be purchased at any time and mounted in the field. Due to the free spring design of the linkage, clearance is not an issue. The linkage can be oriented at any angle on the bonnet.

### Operation

The UGLK/UGSP linkage provides approximately 1/2" to 1-1/2" of downward stroke with 95° rotation on the actuator. The linkage travel is based on the size of gear inside. The gear size is stamped on the frame. This allows the valve to extend fully open or closed based on signal. When directional needs vary, the actuator can be flipped or directional switch turned to a new rotation.

Technical Data	UGLK... / UGSP...
Materials:	
Frame, plate, base	stainless steel
Collar	brass
Drive shaft	3/4" brass
Gears, rack	sintered steel
Bearing	bronze
Stem adaptor	brass
Stroke max (gear teeth)	1/2" (12 teeth) 3/4" (17 teeth) 1-1/8" (25 teeth) 1-1/2" (33 teeth)
Mounting position	360° mountable
Ambient temperature	-22°F to +122°F [-30°C to +50°C]
Storage temperature	-40°F to +176°F [-40°C to +80°C]
Servicing	chilled or hot water, and steam
Weight	5.7 lbs [2.6 kg]

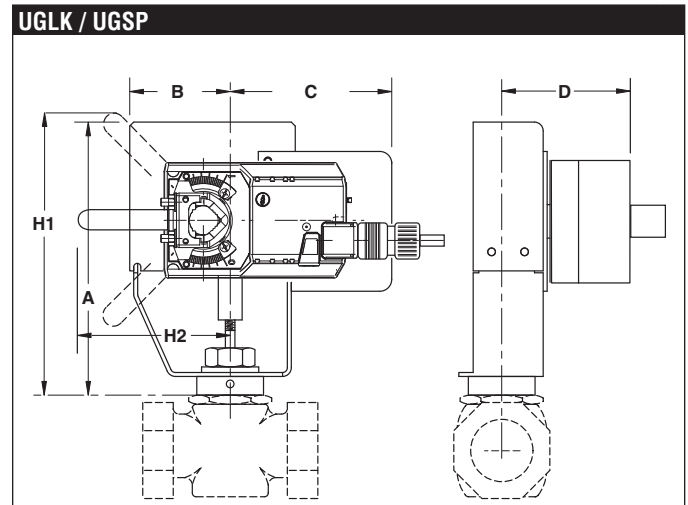
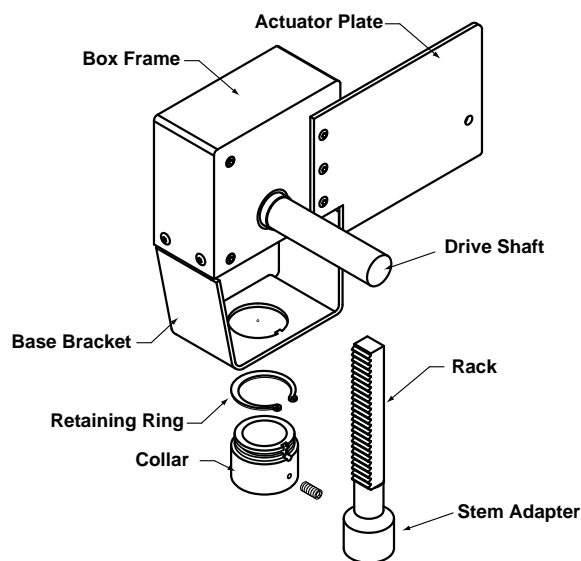
Suitable Actuators	Close-Off Ranges
GK Series	10-250 psi
AF Series	4-250 psi
NF Series	10-250 psi
GM Series	10-250 psi
AM Series	4-250 psi
NM Series	10-250 psi

### Competitor Valves\*\*

Honeywell  
JCI  
Siemens / Powers  
Siebe / Invensys / TAC / Schneider  
Warren Controls

\*\*Consult pages 93-119 of the Retrofit Technical Documentation and/or SelectPro for close-off pressures and a cross reference of each valve.

### UGLK / UGSP Parts Breakdown



Dimensions (Inches [mm])			
A	9"-11" [178-356]	D	4.0" [102]
B	1.5" [33]	H1	4.0" [102]
C	5.0" [127]	H2	3.5" [89]

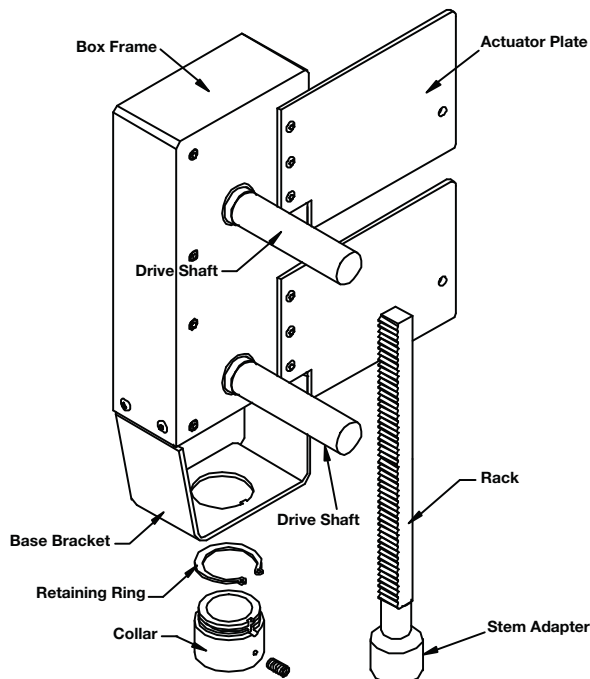
# UGLK.../UGSP... Retrofit Linkage for Globe Valves

For Dual Mounted AF, GM, and GK Series Actuators



Technical Data		UGLK... / UGSP...
Materials:		
Frame, plate, base		stainless steel
Collar		brass
Drive shaft		3/4" brass
Gears, rack		sintered steel
Bearing		bronze
Stem adaptor		brass
Stroke max (gear teeth)		1/2" (12 teeth) 3/4" (17 teeth) 1-1/8" (25 teeth) 1-1/2" (33 teeth)
Mounting position		360° mountable
Ambient temperature		-22°F to +122°F [-30°C to +50°C]
Storage temperature		-40°F to +176°F [-40°C to +80°C]
Servicing		chilled or hot water, and steam max steam inlet 50 psi
Weight		10 lbs [4.5 kg]

## UGLK / UGSP Parts Breakdown



## Application

The UGLK/UGSP retrofit kit is designed to easily attach to the valve bonnet on select competitor valves utilizing tandem Belimo AF, GM, and GK series actuators when higher close-off is required. The kit is used to restore service to the valve without removal of the valve, saving down time.

The unique collar design allows the UGLK to be mounted on various two-way or three-way valves. The rack and pinion construction allow the linkage to be used with normally open and normally closed valves.

## Default/Configuration

The actuator is sold separately from the linkage. This allows users to select any actuator with the desired control signal. The linkage utilizes standard air-side actuators that can be purchased at any time and mounted in the field. With the free spring design of the linkage, clearance is not an issue. The linkage can be oriented at any angle on the bonnet.

## Operation

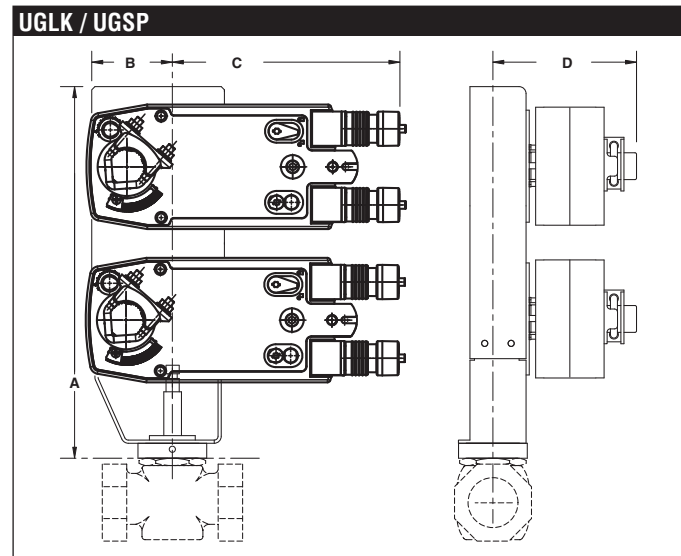
The UGLK/UGSP linkage provides approximately 1/2" to 1-1/2" of downward stroke with 95° rotation on the actuator. The linkage travel is based on the size of gear inside. The gear size is stamped on the frame. This allows the valve to extend fully open or closed based on signal. When directional needs vary, the actuators can be flipped or directional switch turned to a new rotation. Refer to Master Slave wiring for dual mounted actuators.

Suitable Actuators	Close-Off Ranges
2*AF Series	10-250 psi
2*GM Series	25-250 psi
2*GK Series	25-250 psi

## Competitor Valves\*\*

Honeywell  
JCI  
Siemens / Powers  
Siebe / Invensys / TAC / Schneider  
Warren Controls

\*\*Consult pages 92-134 of the Retrofit Technical Documentation and/or SelectPro for close-off pressures and a cross reference of each valve.



Dimensions (Inches [mm])			
A	13"-17" [483]	C	9" [229]
B	3" [76]	D	5" [127]

Tech.Doc - 07/14 - Subject to change. © Belimo Aircontrols (USA), Inc.



Technical Data	
Service	chilled or hot water and steam
Applicable valve size	2½" [64], 3" [80], 4" [101], 5" [127], 6" [152]
Stem	316 stainless steel
Frame, plate, base	aluminum, steel (fits competitor bonnets up to 2.3" dia.)
Collar	aluminum
Coupling	GF nylon, supplied
Housing material	aluminum die cast and plastic casing
Stem adaptor	steel/aluminum
Stroke	1.25" [32 mm] AVK, 2" [50 mm] EV/RV
Mounting position	360°
Media temp range (water)	20°F to 250°F [-7°C to +120°C]
Media temp range (steam)	32°F to 388°F [0°C to 170°C]
Weight	5 lbs

### Application

The FGVL retrofit kit is designed to easily attach AVK, EV, and RV series actuators to select flanged globe valves requiring larger stem travels and higher forces. Its casted base and lower locking clamp allow the FGVL to be mounted on 2½" to 6" two-way or three-way valves in both normally open and normally closed configurations.

### Default/Configuration

The default set up for a FGVL linkage will be factory installed along with an AVK, EV, or RV series actuator. Included in the kit will be all the necessary hardware to facilitate mounting to the valve.

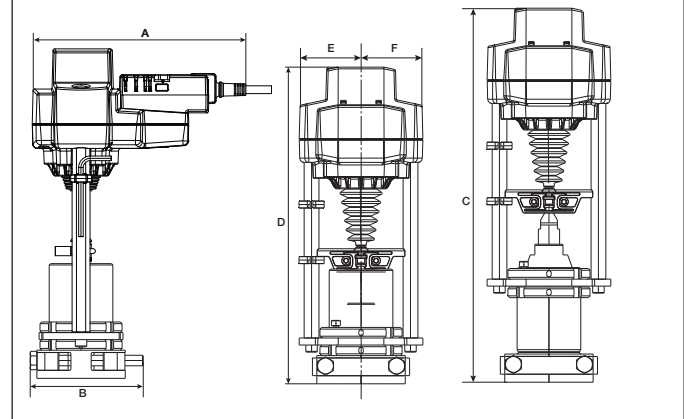
### Operation

The FGVL linkage with actuator will provide up to 2" [50 mm] of linear travel to accommodate a wide range of valves.

### Suitable Actuators

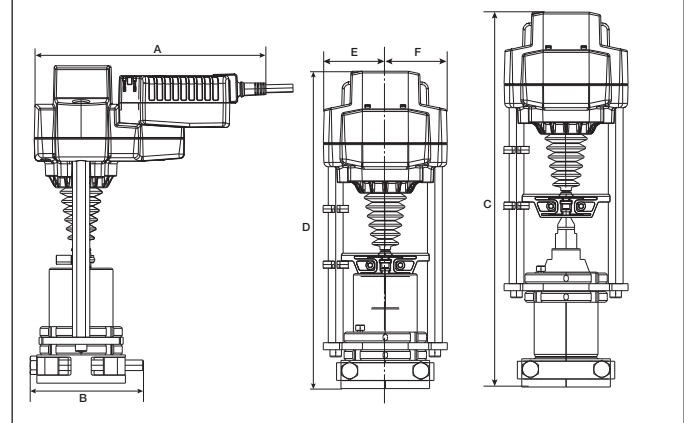
Linkage	Non-Spring Return	Electronic Fail-Safe
FGVL	EVB(X), RVB(X)	AVKB(X)

### Dimensions (Inches [mm]) with EV and RV Series Actuators



A	B	C	D	E	F
9.2" [234]	5.00" [127]	16.33" [425]	14.00" [356]	2.78" [71]	

### Dimensions (Inches [mm]) with AVK Series Actuators



A	B	C	D	E	F
10.25" [260]	5.00" [127]	16.73" [425]	14.00" [356]	2.78" [71]	

### Application Notes

\*\*Consult pages 93-119 of the Retrofit Technical Documentation and/or SelectPro for close-off pressures and a cross reference of each valve.

# WGVL Warren Globe Valve Linkage

For use with EV, RV and AVK Series Actuators



## Technical Data

Service	chilled or hot water and steam
Applicable valve size	2" [50], 2-½" [65], 3" [80], 4" [100], 5" [125], 6" [150]
Stem	316 stainless steel
Frame, plate, base	aluminum, steel (fits Warren Type 20,22,23,30, and 32) (Belimo G6 & G7 series)
Collar	steel
Stem adaptor	steel
Stroke	2" [50 mm]
Mounting position	360°
Media temp range (water)	20°F to 250°F [-7°C to +120°C]
Media temp range (steam)	32°F to 388°F [0°C to 170°C]
Housing material	aluminum die cast and plastic casing
Weight	2.59 lbs

## Application

The WGVL retrofit kit is designed to easily attach AVK, EV and RV series actuators to select Warren® globe valves. The cast base and lower lock nut allow the WGVL to be mounted on 2-½" to 6" two-way or three-way valves in both normally open and normally closed configurations.

## Default/Configuration

The default set up for a WGVL linkage will be factory installed along with an AVK or EV, RV series actuator. Included in the kit is all the necessary hardware to facilitate mounting to the Warren valve.

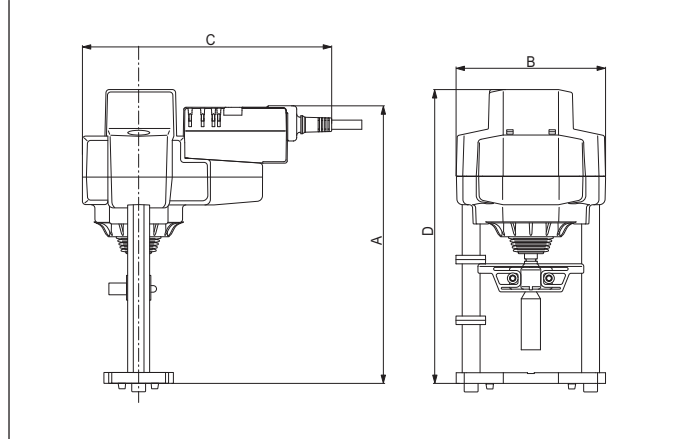
## Operation

The WGVL linkage with actuator will provide 50 mm of linear travel to accommodate a wide range of valve sizes.

## Suitable Actuators

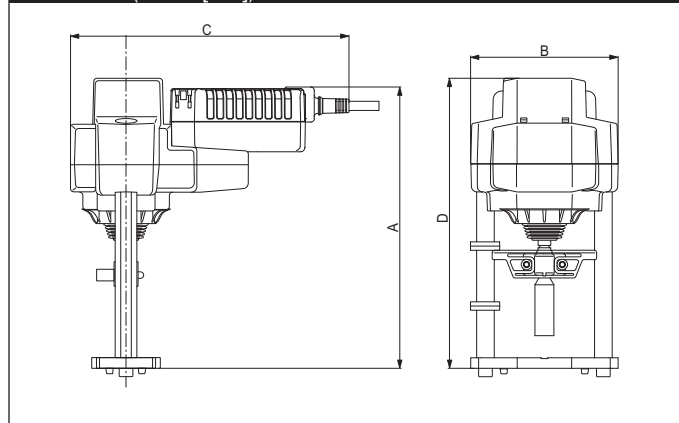
Linkage	Non-Spring Return	Electronic Fail-Safe
WGVL	EV, RV	AVK

## Dimensions (Inches [mm]) with EV and RV Series Actuators



A	B	C	D
10.2" [259]	5.5" [140]	9.2" [233]	10.9" [276]

## Dimensions (Inches [mm]) with AVK Series Actuators



A	B	C	D
10.4" [264]	5.5" [140]	10.3" [262]	10.9" [276]

## Application Notes

\*\*Consult pages 93-113 of the Retrofit Technical Documentation and/or SelectPro for close-off pressures and a cross reference of each valve.

Tech.Doc - 07/14 - Subject to change. © Belimo Aircontrols (USA), Inc.

# How to Select a Globe Valve Retrofit Solution

Follow the four steps listed below when ordering a globe valve retrofit kit for either UGLK or GVL series linkages.

**Example:** Siemens 658 series, 1¼" valve, needing **200 psi** close-off pressure and **Fail-Safe** actuation.

- Based on the **Valve Number, Configuration and Size**, select the proper linkage or linkages for your valve.  
Some valves will have more than one linkage offered, use the actuator or combination pages to determine the appropriate linkage for a given application. In this example there is a **UGLK1214**, **UGLK1350** and a **UGVL** series linkage available.
- Use the selection guide and your close-off pressure requirement to select the correct actuator series for your application. Looking at the **UGLK1350** there are no fail-safe actuators that will achieve 200 psi close-off for 1¼" valve. Looking at the **UGLK1214** or **UGVL**, the **AF** or **SVK** Series actuator will provide over **200 psi close-off** for the 1¼" valve.
- Use the actuator listings to make your final actuator selection.

- HOW TO ORDER:
 

<b>Option One:</b>	
Item 1	1pc UGLK1214
Item 2	1pc AFB24-MFT

<b>Option Two:</b>	
Item 1	1pc UGVL + SVKX24-MFT



**1** Select linkage solution based on the **Valve Number, Configuration, and Size**; select the proper **Linkage Solution** for your valve.

## Siemens\Landis\Powers 658 Series Valves Linkage/Actuator Selection Guide

Valve Body Model	Valve Configuration	Size	Fail-safe	Close-Off psi	Belimo Actuator Series	Belimo Linkage
658 Series	2-way	1¼"	No	78	LM	UGLK1350
				156	NM	UGLK1350
				236	SV	UGVL
			Yes	250	AM	UGLK1214
				61	LF	UGLK1350
				156	NF	UGLK1214
			236	SVK	UGVL	
			250	AF	UGLK1214	

Example: **Siemens Series #658, 2-Way, 1¼"** valve to be retrofitted.

Choose correct kit **UGLK1214** or **UGVL**.

- Verify close-off is suitable for application. Looking at the **UGLK** or **UGVL**, the **AF** and **SVK** Series actuator will provide **200 psi close-off** for the 1¼" valve.

### BASIC PRODUCTS

Model	Control Input	Feedback	Power Supply	Running Time(s)		VA Rating	Auxiliary Switch
				M	⊙		
AFB24	On/Off	-	24 VAC/DC	<75 seconds	20 secs	7.5	-
AFB24-S	On/Off	-	24 VAC/DC	<75 seconds	20 secs	7.5	Built-In
AFBUP	On/Off	-	24-240 VAC	<75 seconds	20 secs	8.5	-
AFBUP-S	On/Off	-	24-240 VAC	<75 seconds	20 secs	8.5	Built-In
AFB24-SR	2-10 VDC (4-20mA)	2-10 VDC	24 VAC/DC	95 seconds	<20 secs	8.5	-
AFB24-SR-S	2-10 VDC (4-20mA)	2-10 VDC	24 VAC/DC	95 seconds	<20 secs	8.5	Built-In
AFB24-PC	0-10 V Phasecut	2-10 VDC	24 VAC/DC	150 seconds	<20 secs	10	-
AFB24-MFT	2-10 VDC (4-20mA)	2-10 VDC	24 VAC/DC	150 seconds	<20 secs	10	-
AFB24-MFT-S	2-10 VDC (4-20mA)	2-10 VDC	24 VAC/DC	150 seconds	<20 secs	10	Built-In
AFB24-MFT95	0 to 135	2-10 VDC	24 VAC/DC	150 seconds	<20 secs	10	-

- Select actuator based on needed control type. Decide between **AFB24**, **AFB24-MFT**

or **SVKX24-3**, **SVKX24-MFT**.

- Complete Ordering Example  
Option One:  
Item 1: **UGLK1214**  
Item 2: **AFB24-MFT**

- Complete Ordering Example  
Option Two:  
Item 1: **UGVL + SVKX24-MFT**

ACTUATOR PART #	LVKX24-3	LVKB24-SR	LVKX24-MFT	SVKX24-3	SVKB24-SR	SVKX24-MFT
Control type	On/Off, Floating Point	Proportional	Proportional/MFT	On/Off, Floating Point	Proportional	Proportional/MFT
Input signal / Feedback	-	2-10 VDC	Variable	-	2-10 VDC	Variable
Running time	Motor 150 seconds	150 seconds	Variable	150 seconds	150 seconds	Variable
Actuator travel	Fail-Safe 35 seconds	35 seconds	35 seconds	35 seconds	35 seconds	35 seconds
Actuator noise level	24mm	24mm	24mm	24mm	24mm	24mm
	<45 dB(A)	<45 dB(A)	<45 dB(A)	<45 dB(A)	<45 dB(A)	<45 dB(A)
GVL LINKAGES						
UGVL	Universal Adjustable for 1/2" to 2"	\$	\$	\$	\$	\$
SGVL	Schnieder VB7... VB9...	\$	\$	\$	\$	\$

Tech.Doc - 07/14 - Subject to change. © Belimo Aircontrols (USA), Inc.

### ROTARY ACTUATORS

SERIES	MODEL	Spring Return	Electronic Fail-Safe	Tandem Mounting Available	Control Input	Feedback Position	Power Supply	Standard Running Time
LF Series*	LF24 US	•			On/Off	-	24 VAC/DC	Consult Specifications
	LF24-MFT US	•			Variable with MFT	Variable VDC	24 VAC/DC	
NF Series*	NFBUP-X1	•			On/Off	-	24-240 VAC	
	NFX24-MFT	•			(24 VAC/DC) Variable with MFT	Variable VDC	24 VAC/DC	
AF Series*	AFBUP-X1	•		•	On/Off	-	24-240 VAC	
	AFX24-MFT-X1	•		•	Variable with MFT	Variable VDC	24 VAC/DC	
LM Series*	LMB24-3-X1				Floating Point, On/Off	-	24 VAC/DC	
	LMX24-MFT-X1				Variable with MFT	Variable VDC	24 VAC/DC	
NM Series*	NMB24-3-X1				Floating Point, On/Off	-	24 VAC/DC	
	NMX24-MFT-X1				Variable with MFT	Variable VDC	24 VAC/DC	
AM Series*	AMB24-3-X1				Floating Point, On/Off	-	24 VAC/DC	
	AMX24-MFT-X1				Variable with MFT	Variable VDC	24 VAC/DC	
GM Series*	GMB24-3-X1			•	Floating Point, On/Off	-	24 VAC/DC	
	GMX24-MFT-X1			•	Variable with MFT	Variable VDC	24 VAC/DC	
GK Series*	GKB24-3-X1		•		Floating Point, On/Off	-	24 VAC/DC	
	GKX24-MFT-X1		•	•	Variable with MFT	Variable VDC	24 VAC/DC	

\*Please consult the Damper section of the Product Guide and Price List for a full list of product offerings. Standard run times should be considered in the selection. All air side products are applicable for retrofit kits. Select "X1" actuators come with a handle.

### LINEAR ACTUATORS\*\*

SERIES	MODEL	Fail-Safe	Control Input	Feedback Position	Power Supply	Standard Running Time*	Force
LV Series	LVB24-3	No	Floating Pt., On/Off	N/A	24 VAC/DC	90 seconds	112 lbf
	L VX120-3	No	Floating Pt., On/Off	N/A	120-240 VAC	90 seconds	112 lbf
	LVBSR-SR	No	2-10 VDC	2-10 VDC	24 VAC/DC	90 seconds	112 lbf
	L VX24-MFT	No	Variable with MFT	Variable VDC	24 VAC/DC	90 seconds	112 lbf
LVK Series	LVKX24-3	Yes	Floating Pt., On/Off	N/A	24 VAC	90 seconds	112 lbf
	LVKX120-3	Yes	Floating Pt., On/Off	N/A	120-240 VAC	90 seconds	112 lbf
	LVKBSR-SR	Yes	2-10 VDC	2-10 VDC	24 VAC/DC	90 seconds	112 lbf
	LVKX24-MFT	Yes	Variable with MFT	Variable VDC	24 VAC/DC	90 seconds	112 lbf
SV Series	SVX24-3	No	Floating Pt., On/Off	N/A	24 VAC/DC	90 seconds	337 lbf
	SVX120-3	No	Floating Pt., On/Off	N/A	120-240 VAC	90 seconds	337 lbf
	SVBSR-SR	No	2-10 VDC	2-10 VDC	24 VAC/DC	90 seconds	337 lbf
	SVX24-MFT	No	Variable with MFT	Variable VDC	24 VAC/DC	90 seconds	337 lbf
SVK Series	SVKX24-3	Yes	Floating Pt., On/Off	N/A	24 VAC	90 seconds	337 lbf
	SVKX120-3	Yes	Floating Pt., On/Off	N/A	120-240 VAC	90 seconds	337 lbf
	SVKBSR-SR	Yes	2-10 VDC	2-10 VDC	24 VAC/DC	90 seconds	337 lbf
	SVKX24-MFT	Yes	Variable with MFT	Variable VDC	24 VAC/DC	90 seconds	337 lbf
AV Series	AVKB24-3	Yes	Floating Pt., On/Off	N/A	24 VAC	90 seconds	450 lbf
	AVKB120-3	Yes	Floating Pt., On/Off	N/A	120-240 VAC	90 seconds	450 lbf
	AVKB24-MFT	Yes	Variable with MFT	Variable VDC	24 VAC/DC	90 seconds	450 lbf
EV Series	EVB24-3	No	Floating Pt., On/Off	N/A	24 VAC/DC	90 seconds	562 lbf
	EVB120-3	No	Floating Pt., On/Off	N/A	120-240 VAC	90 seconds	562 lbf
	EVB24-MFT	No	Variable with MFT	Variable VDC	24 VAC/DC	90 seconds	562 lbf
RV Series	RVB24-3	No	Floating Pt., On/Off	N/A	24 VAC/DC	90 seconds	562 lbf
	RVB24-MFT	No	Variable with MFT	Variable VDC	24 VAC/DC	90 seconds	562 lbf

\* Other speeds available on request. \*\* Sold as an assembly with linkage.

### MULTI-FUNCTION TECHNOLOGY

	PROGRAMMING CODE	Control Input	Running Time	Built-in Feedback
ROTARY ACTUATOR	P-10001 A01	2-10 VDC	150 seconds	2-10 VDC
	P-10002 A02	0.5-10 VDC	150 seconds	0.5-10 VDC
	P-10028 A28	0.5-10 VDC	150 seconds	0.5-10 VDC
	P-10063 A63	0.5-4.5 VDC	150 seconds	0.5-4.5 VDC
	P-10064 A64	5.5-10 VDC	150 seconds	5.5-10 VDC
	P-20002 W02	0.02-5.00 seconds PWM	150 seconds	2-10 VDC
	P-20003 W03	0.10-25.5 seconds PWM	150 seconds	2-10 VDC
	P-30001 F01	Floating Point	150 seconds	2-10 VDC
	P-40002 J02	On/Off	150 seconds	2-10 VDC
LINEAR ACTUATOR	G43	2-10 VDC	90 seconds	2-10 VDC
	G53	0.5-10 VDC	90 seconds	0.5-10 VDC
	W3M	0.02-5.00 seconds PWM	90 seconds	2-10 VDC
	G13	Floating Point	90 seconds	2-10 VDC
	G03	On/Off	90 seconds	2-10 VDC



Valve Body Model	Size	Fail-Safe	Close-Off psi	Belimo Actuator Series	Belimo Linkage		
599-02071 MT (Cv <10)	1"	Yes	40	TF	UGSL1200		
599-02084 MT (Cv <10)	1¼"	Yes	22	TF	UGSL1200		
599-02085 MT (Cv <10)	1¼"	Yes	22	TF	UGSL1200		
599-02086 MT (Cv <16)	1¼"	Yes	10	TF	UGSL1200		
<b>WARREN CONTROLS</b>							
<b>100 SGL SEAT</b>	2½"	Yes	52	AVK	WGVL		
		No		RV	WGVL		
		No	26	EV	WGVL		
		Yes	110	2*GK	UGLK2272		
	3"	No	22	EV	WGVL		
		Yes		AVK	WGVL		
		No	40	RV	WGVL		
		Yes	70	2*GK	UGLK2272		
		4"	Yes	10	AF	UGLK2202	
			No		EV	WGVL	
	Yes		22	AVK	WGVL		
	No		40	RV	WGVL		
	Yes		40	2*GK	UGLK2272		
	5"		Yes	10	AF	UGLK2202	
		Yes	AVK		WGVL		
		No	14	RV	WGVL		
		Yes	22	2*GK	UGLK2272		
		6"	Yes	10	AF	UGLK2202	
			Yes		AVK	WGVL	
	No		RV	WGVL			
	Yes		22	2*GK	UGLK2272		
	<b>1800 3W DIV</b>		2½"	Yes	52	AVK	WGVL
				No		EV	WGVL
		Yes		110	2*GK	UGLK2272	
<b>1800 3W DIV</b>		2½"	No	110	2*GM	UGLK2272	
			Yes		AVK	WGVL	
			3"	No	40	EV	WGVL
	Yes			70		2*GK	UGLK2272
	<b>1800 3W DIV</b>	4"	No	22	2*GM	UGLK2272	
			Yes		AVK	WGVL	
No			40	EV	WGVL		
Yes			40	2*GK	UGLK2272		
<b>1800 3W DIV</b>		5"	No	14	2*GM	UGLK2272	
			Yes		AVK	WGVL	
	No		22	EV	WGVL		
	Yes		22	2*GK	UGLK2272		
	<b>1800 3W DIV</b>	6"	No	10	2*GM	UGLK2272	
			Yes		AVK	WGVL	
Yes			22	EV	WGVL		
No			22	2*GK	UGLK2272		
<b>1800 3W MIX</b>		2½"	No	52	2*GM	UGLK2272	
			Yes		AVK	WGVL	
	No		110	EV	WGVL		
	Yes		2*GK	UGLK2272			
	<b>1800 3W MIX</b>	3"	No	40	2*GM	UGLK2272	
			Yes		AVK	WGVL	
			No	70	EV	WGVL	
			Yes	2*GK	UGLK2272		
		<b>1800 3W MIX</b>	4"	No	22	2*GM	UGLK2272
				Yes		AVK	WGVL
	No			40	EV	WGVL	
	Yes			40	2*GK	UGLK2272	
<b>1800 3W MIX</b>	5"		No	14	2*GM	UGLK2272	
			Yes		AVK	WGVL	
		No	22	EV	WGVL		
		Yes	22	2*GK	UGLK2272		
	<b>1800 3W MIX</b>	6"	No	10	2*GM	UGLK2272	
			Yes		AVK	WGVL	
No			22	EV	WGVL		
Yes			22	2*GK	UGLK2272		
No	22	2*GM	UGLK2272				

Tech.Doc - 07/14 - Subject to change. © Belimo Aircontrols (USA), Inc.

All close-off pressures listed are approximate and based on valve condition and application.

# Warren Controls

1800, Type 20-22, Type 23, Type 30, Type 32 Series Valves

Linkage/Actuator Selection Guide



Valve Body Model	Size	Fail-Safe	Close-Off psi	Belimo Actuator Series	Belimo Linkage
1800 BAL	2½"	Yes	52	AVK	WGVL
		No		EV	WGVL
		Yes	110	2*GK	UGLK2272
		No		2*GM	UGLK2272
	3"	Yes	40	AVK	WGVL
		No		EV	WGVL
		Yes	70	2*GK	UGLK2272
		No		2*GM	UGLK2272
	4"	Yes	22	AVK	WGVL
		No		EV	WGVL
		Yes	40	2*GK	UGLK2272
		No		2*GM	UGLK2272
	5"	Yes	14	AVK	WGVL
		No		EV	WGVL
		Yes	22	2*GK	UGLK2272
		No		2*GM	UGLK2272
6"	Yes	10	AVK	WGVL	
	No		EV	WGVL	
	Yes	22	2*GK	UGLK2272	
	No		2*GM	UGLK2272	
Type 20-22	2½"	Yes	71	AVK	WGVL
		No	93	EV	WGVL
		No	185	RV	WGVL
	3"	Yes	40	AVK	WGVL
		No	65	EV	WGVL
		No	126	RV	WGVL
4"	No	65	RV	WGVL	
	No	40	RV	WGVL	
6"	Yes	10	2*AF	UGLK2272	
	No	22	2*GK	UGLK2272	
Type 20-22	6"	Yes	22	2*GK	UGLK2272
Type 23	2½"	Yes	211	AVK	WGVL
		No		EV	WGVL
	3"	Yes	160	AVK	WGVL
		No		EV	WGVL
	4"	Yes	236	AVK	WGVL
		No		EV	WGVL
5"	Yes	AVK		WGVL	
	No	EV		WGVL	
Type 30	2½"	Yes	71	AVK	WGVL
		No	93	EV	WGVL
		No	185	RV	WGVL
	3"	Yes	40	AVK	WGVL
		No	65	EV	WGVL
		No	126	RV	WGVL
	4"	No	65	RV	WGVL
		No	40	RV	WGVL
	6"	Yes	10	2*AF	UGLK2272
Yes		22	2*GK	UGLK2272	
Type 32	2½"	Yes	71	AVK	WGVL
		No	93	EV	WGVL
		No	185	RV	WGVL
	3"	Yes	40	AVK	WGVL
		No	65	EV	WGVL
		No	126	RV	WGVL
	4"	No	65	RV	WGVL
		No	40	RV	WGVL
	6"	Yes	10	2*AF	UGLK2272
		Yes	22	2*GK	UGLK2272

All close-off pressures listed are approximate and based on valve condition and application.



### UGLK Collars

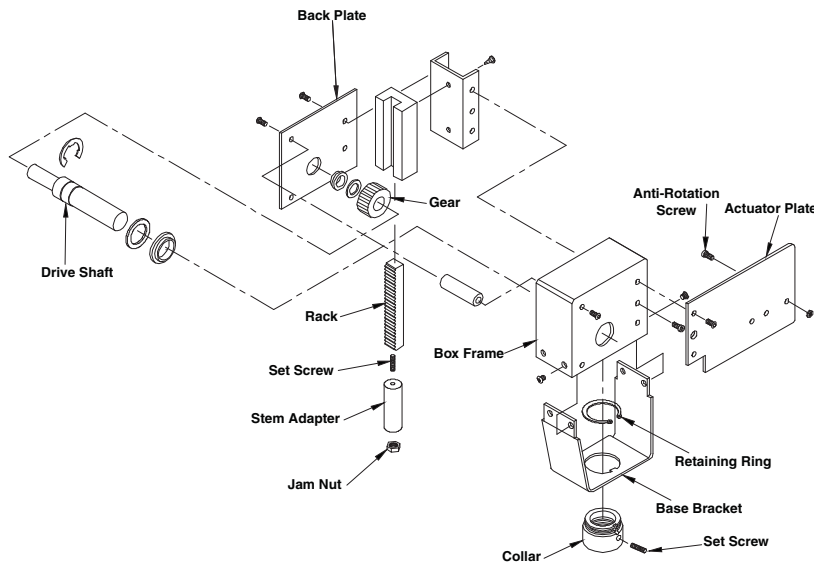
Part Number	Inside Diameter	Description	Most Commonly Used Valve Style				
			Style 1	Style 2	Style 3	Style 4	Style 5
UGLK-COL-1005	1.000"	3 setscrews, for frame type		•			
UGLK-COL-1063	1.063"	3 setscrews, for frame type		•			
UGLK-COL-1100	1.100"	3 setscrews, for frame type, counterbored top				•	
UGLK-COL-1255	1.250"	3 setscrews, for frame type		•			
UGLK-COL-1315	1.315"	3 setscrews, for frame type, can be used with VB7 with shim			•		
UGLK-COL-1375	1.375"	3 setscrews, for frame type		•			
UGLK-COL-BC10	1.250" - 16 Thd.	Fits Siebe VB7/VB9. Use on frame type only	•				
UGLK-COL-HY02	1.370"	1 setscrew, for frame type					•
UGLK-COL-LG02	1.740"	1 setscrew, for frame type			•		
UGLK-COL-LG04	1.740"	1 setscrew, for frame type			•		
UGLK-COL-JC05	1.070"	3 setscrews, for frame type		•			
UGLK-COL-JC06	1.562" - 14 Thd.	Threaded, brass		•			
UGLK-COL-JC08	0.760"	3 setscrews, for frame type, counterbored top				•	
UGLK-COL-JC15	1.070"	Ring, no setscrews		•			
UGLK-COL-0880	0.880"	3 setscrews, for frame type, counterbored top				•	
UGLK-COL-WNUT	1.375" - 20 Thd.	Replacement Warren nut. Will not go over damaged threads		•			
UGLK-COL-AD01	1.250" - 16 Thd.	Fits Siebe VB7/VB9. For VB7 frame only	•				
UGLK-COL-UNIV	Custom	3 setscrews, for frame type. Must be machined		•	•	•	•

\* Must reuse clip and set screws.

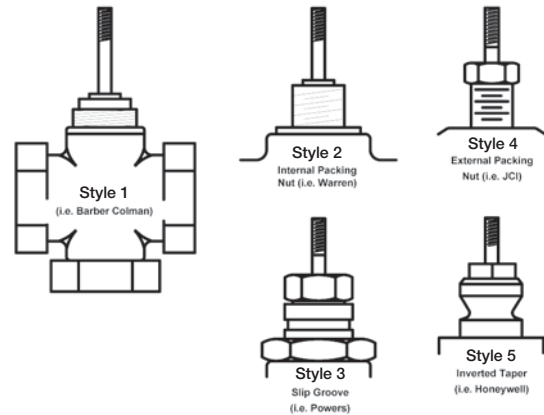
### UGLK Stem Adapters

Part Number	Inside Diameter	Description	Most Commonly Used Valve Style				
			Style 1	Style 2	Style 3	Style 4	Style 5
UGLK-STM-1800	1/4" - 28 Stem Thd.	Stem adapter for 1/4" - 28 valve stems	•	•	•	•	•
UGLK-STM-1801	3/8" - 24 Stem Thd.	Stem adapter for 3/8" - 24 valve stems	•	•	•	•	•
UGLK-STM-1802	1/2" - 20 Stem Thd.	Stem adapter for 1/2" - 20 valve stems	•			•	•
UGLK-STM-1803	7/16" - 20 Stem Thd.	Stem adapter for 7/16" - 20 valve stems					•
UGLK-STM-1501	3/8" - 24 Stem Thd.	For Warren FLG valves with UGLK		•			
UGLK-STM-1805	3/8" OD Grooved	Landis 2.5-3" -599 Series			•		
UGLK-STM-2305	1/2" OD Grooved	Landis 4-6" -599 Series			•		
UGLK-STM-UNIV	Custom	Must be machined	•	•	•	•	•

### UGLK Stem Adapters



### UGLK Collars



Tech.Doc - 07/14 - Subject to change. © Belimo Aircontrols (USA), Inc.



WEATHER SHIELDS		NON-SPRING RETURN				SPRING RETURN			ELECTRONIC FAIL-SAFE				2* GM/GK
		LV	SV	EV	RV	LF	NF	AF	GK	LVK	SVK	AVK	
	<b>ZS-SPGV-60</b> LF series on G2/G3 globe valve					•							
	<b>ZS-SPGV-10</b> Dual AF series on flanged globe valve							•					
	<b>ZS-SPGV-20</b> Single NF/AF series on G2/G3 (NF/AF) and flanged globe valve (AF)						•	•					
	<b>ZS-SPGV-40</b> GK series on flanged globe valve								•				
	<b>ZS-SPGV-50</b> GK series on flanged globe valve												•
	<b>ZS-GV-001</b> Weather shield for LV/SV (cover only)	•	•							•	•		
	<b>ZS-GV-002</b> Weather shield for EV/RV/AVK (cover only)			•	•							•	
<b>AUXILIARY SWITCHES &amp; POTENTIOMETERS</b>													
	<b>S1A</b> Auxiliary switch - 1x SPDT, 3A (0.5A inductive) @ 250 VAC									•			•
	<b>S2A</b> Auxiliary switch - 2x SPDT, 3A (0.5A inductive) @ 250 VAC									•			•
	<b>S2A-GV</b> Auxiliary switch - 2x SPDT, 3A (0.5A inductive) @ 250 VAC	•	•	•	•					•	•	•	
	<b>P140A GR</b> Feedback potentiometer 140 Ω									•			•
	<b>P500A GR</b> Feedback potentiometer 500 Ω									•			•
	<b>P1000A GR</b> Feedback potentiometer 1000 Ω									•			•
	<b>P2800A GR</b> Feedback potentiometer 2800 Ω									•			•
	<b>P5000A GR</b> Feedback potentiometer 5000 Ω									•			•
	<b>P10000A GR</b> Feedback potentiometer 10000 Ω									•			•
<b>BATTERY BACKUPS</b>													
	<b>NSV24 US</b> Battery backup module	•	•	•	•								
	<b>NSV-BAT</b> 12VDC 1.2 AH battery (2 required)	•	•	•	•								

Note: Each NSV-24 US requires 2 NSV-BAT.

Tech.Doc - 07/14 - Subject to change. © Belimo Aircontrols (USA), Inc.